



ALUMINIUM COMMERCIAL WHEELS



Distributors of Aluminium & Steel commercial wheels for the Truck, Bus and Trailer industry



ABOUT TIA WHEELS

TIA wheels (part of the TIA Group) is a leading distributor of Steel and Aluminium Commercial wheels for the Truck, Bus and Trailer industry.

TIA Wheels has established worldwide supply partnerships to produce wheels to global standard specifications. In addition, we are also able to source and supply all aspects of industrial and commercial wheel requirements, including ports and OTR.

WHY TIA WHEELS

- » A well established business.
- » Passionate key staff with over 25 years experience.
- » High level of customer service at all times.
- » We offer a wide range of forged aluminium wheel dimensions.
- » Help in choosing the right wheels.
- » We can deliver from one wheel, one pallet up to a full trailer load.
- » Original equipment (O.E) approved.
- » BS EN ISO 9001: 2005 certified.
- » Limited 5 year warranty.

**TIA Wheels is a leading distributor
of Commercial wheels for the Truck,
Bus and Trailer industry.**



OUR WHEELS

OUR ALUMINIUM WHEELS

Forged from a single solid billet of high strength 6061 alloy:

- » High corrosion resistance aluminium alloy 6061.
- » T6 heat-treated for increased fatigue strength.
- » Forged using 10,000 tonne Forging press.
- » High-end CNC, German produced, spinning machine.
- » Automatic CNC digital control machining equipment.
- » Manufactured to conform to European, EUWA & ETRTO standards:
- » TIA's manufacturing partner is ISO/TS 16949 2009 certified.
- » O.E approved fitment.
- » TUV certification.
- » Limited 5 year warranty.

CERTIFICATION

TIA Wheels are BS EN ISO 9001: 2005 certified, and all wheels supplied conform to European, EUWA and ETRTO standards of design and manufacture.

THE BENEFITS

Great looks - Easy maintenance

- » Up to 51% lighter than the average steel wheel equivalent.
- » Allowing for increased payload or extra parts on chassis.
- » Payload increase of 210Kg achievable on tractor and trailer set-up.
- » Reduce your operating costs.
- » Increase your profitability.

Substantially improve mechanical properties and stability:

- » Lateral run out optimised with CNC machining.
- » Low tolerance dimensions.
- » Lower unsprung weight.
- » Reduced fuel consumption.
- » Better heat dissipation.
- » Improved tyre wear.
- » Aid to improved brake and tyre life.

OUR WHEEL FINISHES

ECO SHIELD

Our Eco Shield finish offers protection against oxidation and further deterioration with an easy-clean finish. Available in a polished or satin finish.



POLISHED

Our polished finish gives the mirror polished look, and is excellent for those who want their fleet to stand out.

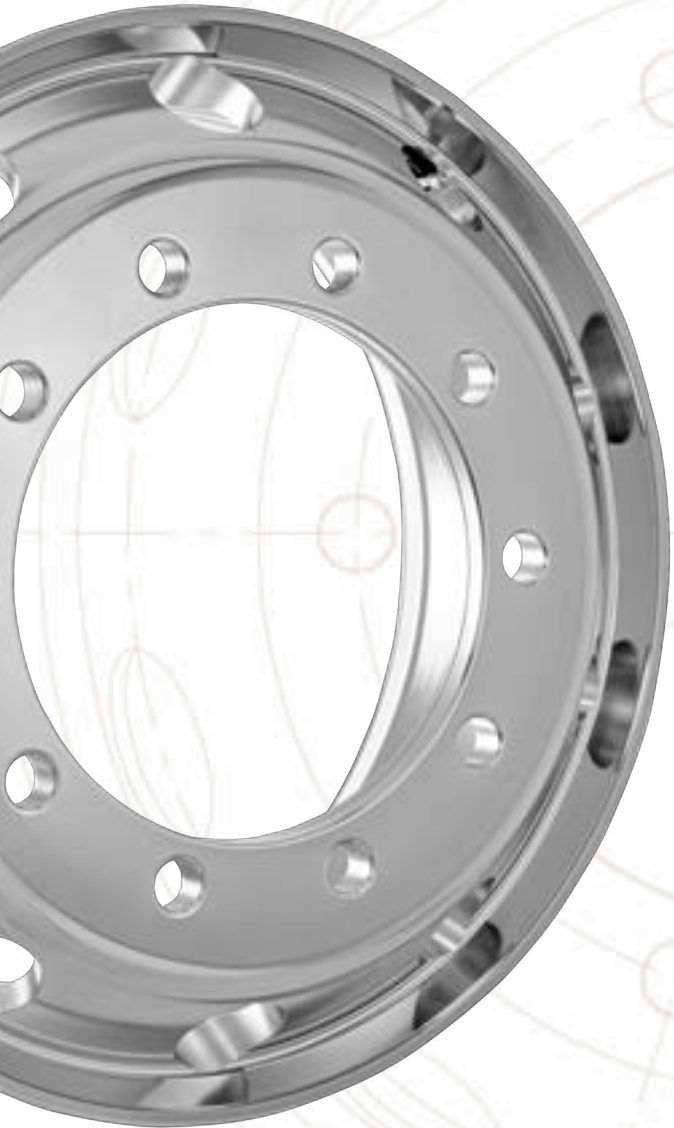


MACHINED

The machined non-polished finish gives your fleet a simple but stylish matt look, where weight is the primary consideration.



TIA WHEELS SPECIFICATION SHEET



No. of Bolt Holes	Bolt Hole Diameter (mm)	PCD (mm)	Centre Hole Diameter (mm)	Disc Thickness (mm)	Offset/HDS (mm)	Weight (kg)	Finish
6.00 x 17.5							
6	26	245	202	19	133 HDS	13.2	Polished
6	26	205	161	19	133 HDS	13.2	Polished
6	26	205	161	19	133 HDS	13.2	Eco Shield (Easy-clean)
10	26	225	176	19	135 HDS	12.5	Polished
10	26	225	176	19	135 HDS	12.5	Eco Shield (Easy-clean)
6.75 x 17.5							
6	26	245	202	20	140 HDS	13.9	Polished
6	26	245	202	20	140 HDS	13.9	Eco Shield (Easy-clean)
8	24/30	275	221	20	140 HDS	13.5	Polished
8	24/30	275	221	20	140 HDS	13.5	Eco Shield (Easy-clean)
10	26	225	175	20	141 HDS	13.9	Polished
10	26	225	175	20	141 HDS	13.9	Eco Shield (Easy-clean)
7.50 x 19.5							
8	26/30	275	221	20	155 HDS	18	Polished
10	26/32	225	176	20	155 HDS	18	Polished
7.50 x 22.5							
10	26/32	335	281	24	159 HDS	24	Polished
8.25 x 22.5							
10	26/32	335	281	28	170 HDS	25.2	Machined
10	26/32	335	281	28	170 HDS	25.2	Polished
10	26/32	335	281	28	170 HDS	25.2	ECO Shield (Easy-clean)
9.00 x 22.5							
10	26/32	335	281	24	175 HDS	26.1	Machined
10	26/32	335	281	24	175 HDS	26.1	Polished
10	26/32	335	281	24	175 HDS	26.1	ECO Shield (Easy-clean)
11.75 x 22.5 ET0							
10	26/32	335	281	24	ET0	24.9	Machined
10	26/32	335	281	24	ET0	24.9	Polished
10	26/32	335	281	24	ET0	24.9	ECO Shield (Easy-clean)
11.75 x 22.5 ET120							
10	26/32	335	281	25.6	ET120	27	Machined
10	26/32	335	281	25.6	ET120	27	Polished
10	26/32	335	281	25.6	ET120	27	ECO Shield (Easy-clean)
11.75 x 22.5 ET135							
10	26/32	335	281	25.6	ET135	27	Machined
10	26/32	335	281	25.6	ET135	27	Polished

Bolts & Nuts are available from stock



SERVICE & DELIVERY

UK, EUROPE, WORLDWIDE

SERVICE

TIA Wheels views customer service as an essential element of its business strategy. All staff are highly trained and professional, some of which have been working for the company for over 20 years. We strive to understand our customers' needs and make buying as easy as possible.

Services include:

- » Collating orders.
- » Arranging production/shipments.
- » Organising import/export documentation.
- » Inland transport.
- » Currency options.
- » Quality documentation.
- » O.E Complete tyre/wheel assembly.

DELIVERY

TIA Wheels is structured to organise full container loads direct from our partner manufacturer. We have strong relations with shipping agents and have internally experienced import/export staff who take control from receipt of order to arranging delivery to our customers' premises.

We are conveniently located centrally in the UK. With our stocking levels, transport partners and operators, we can deliver anything from a single wheel, one pallet to a full trailer load.

- » Delivery of single wheels, pallets & containers.
- » Varying pricing structures.
- » UK, Mainland Europe & Worldwide.



TIA
WHEELS

**Better Wheels, Better Quality,
Better Value, Better All-Round.**



Unit B2-B4, Halesfield 8, Telford, TF7 4QN
+44 (0)1952 327676
sales@tiawheels.co.uk
tiawheels.co.uk